

Speaker Model: AS650C--Woofer

Cone material: Synthetic metal

DCR Impedance: 4.0  $\Omega$

Maximum power Input: 40 W

Frequency Range: 60-6000 Hz

Sensitivity 1W/1M: 88dB

Qms:3.08

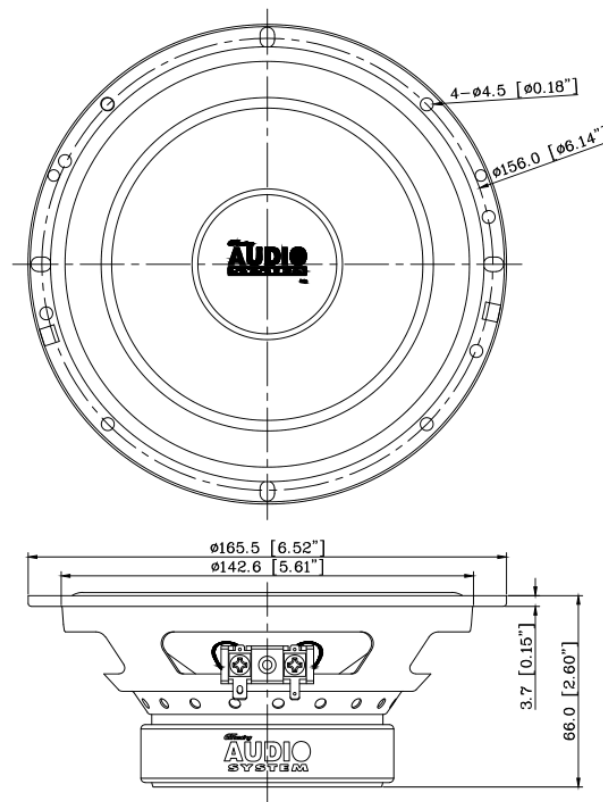
Qes:0.73

Qts:0.59

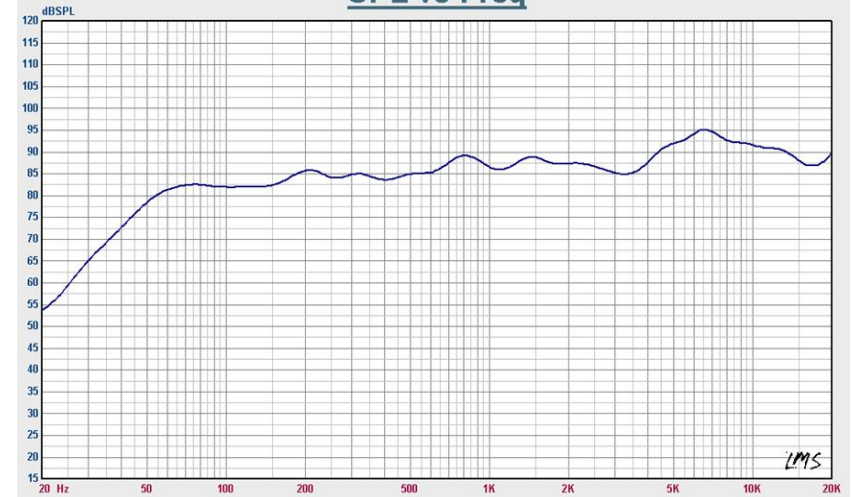
Weight: 0.93(KG)

Mounting Depth: 64mm

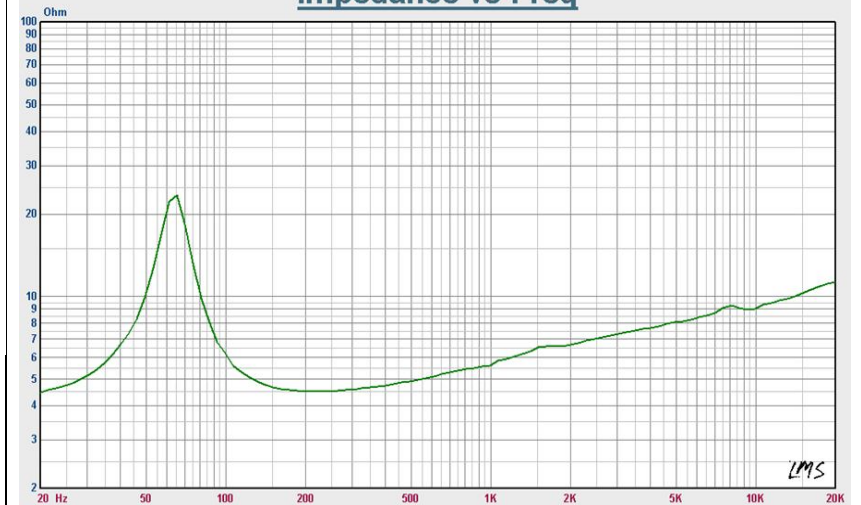
Mounting Diameter: 143 mm



SPL vs Freq



Impedance vs Freq



Speaker Model:AS650C-Tweeter

Cone material: Black Silk

DCR Impedance: 4.0  $\Omega$

Maximum power Input: 25W

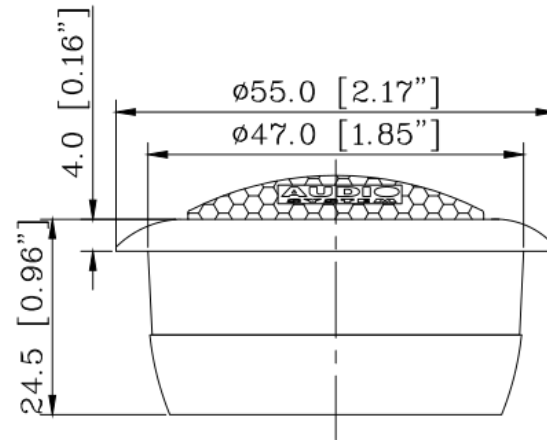
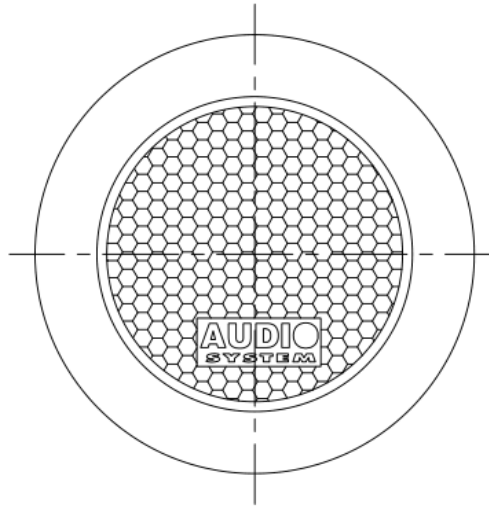
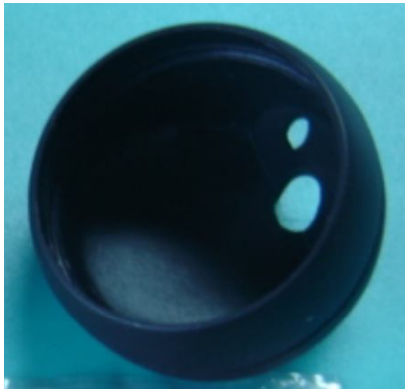
Frequency Range: 1500-22000 Hz

Sensitivity 1W/1M: 90dB

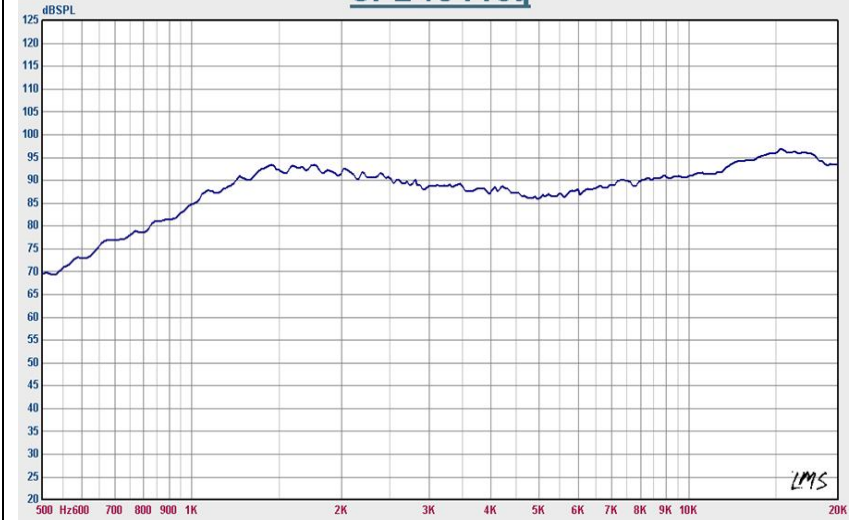
Weight: 0.08(KG)

Mounting Depth: 22mm

Mounting Diameter: 47 mm



**SPL vs Freq**



**Impedance vs Freq**

