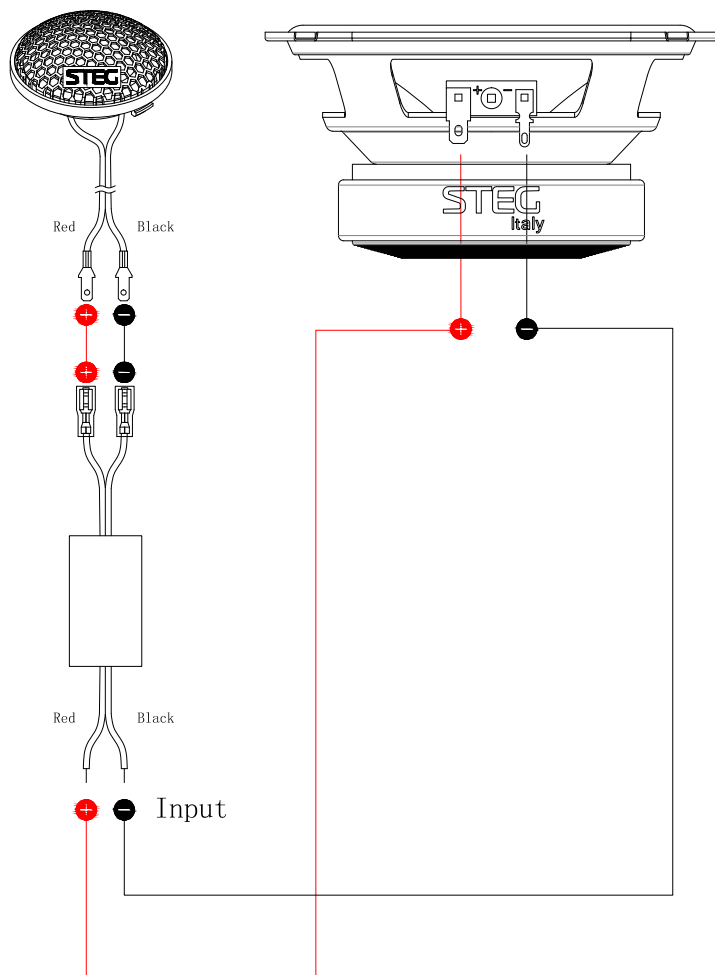


## Connection diagram:



# SQ

COMPONENT SPEAKERS

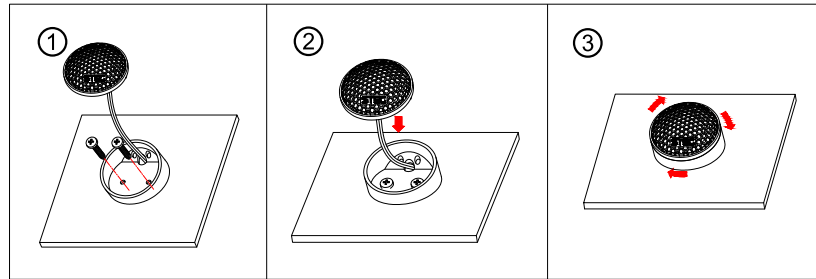
## SQ 130C

### Installation Instructions

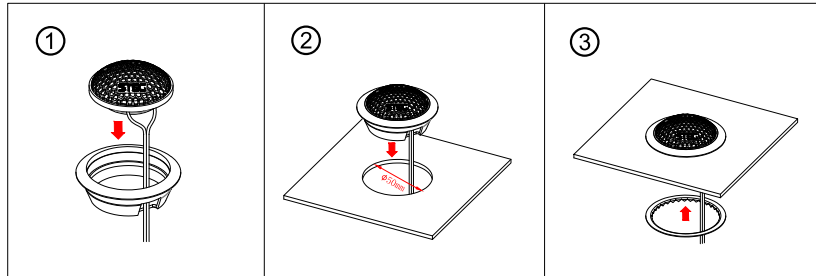


ITALY  
www.gt-trading.it  
info@gttrading.it

### Surface mounting option

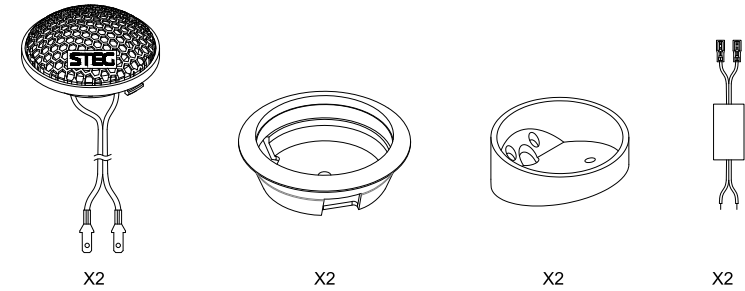


### Flush mounting for 50mm cutout

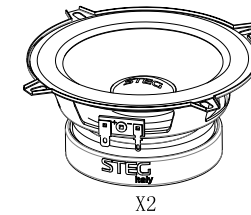


Specifications		
2-Way System		SQ130C
Nominal Impedance		4 ohm
Power Handling		50W
Max.Transient Handling		100W
Sensitivity(2.83V/1M)		88dB
Frequency Response		50-20K Hz
Voice Coil Diameter	Woofers	25mm(1")
	Tweeter	25mm(1")
Voice Coil Wire		Copper
Magnet System	Woofers	High grade ferrite magnet
	Tweeter	Neodymium
Mounting Depth		68mm

### Tweeter list



### Woofer list



### Woofer mounting

