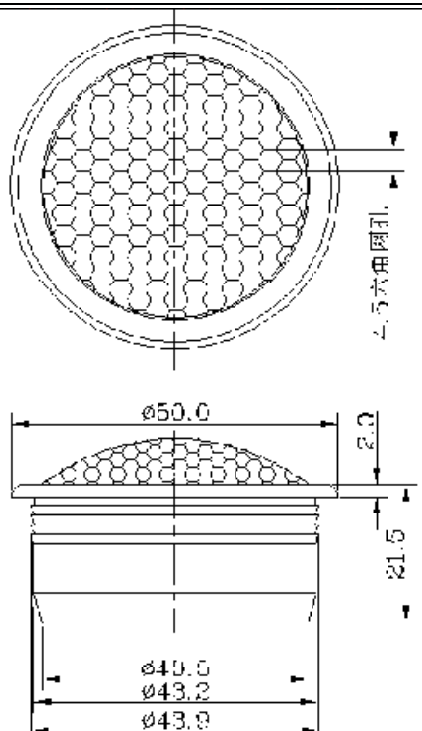
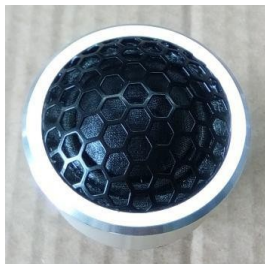


Speaker Model:SQ25

IAPHRAGM	MTL:	SILK
NOMINAL	IMPEDANCE:	6.0±15% Ω
DCR	IMPEDANCE:	6.0±10% Ω
SENSITIVITY	1W/1M:	90.0±3 dB
FREQUENCY	RESPONSE:	1400-20K Hz
FREE AIR	RESONANCE:	1400±20% Hz
VOICE COIL	DIAMETER:	25.5 mm
RATED POWER	INPUT:	30 W
MAXIMUM POWER	INPUT:	40 W
MAGNET	WEIGHT (OZ):	NEO
FERRO FLUID	ENHANCED:	YES



SPL vs Freq



Impedance vs Freq

