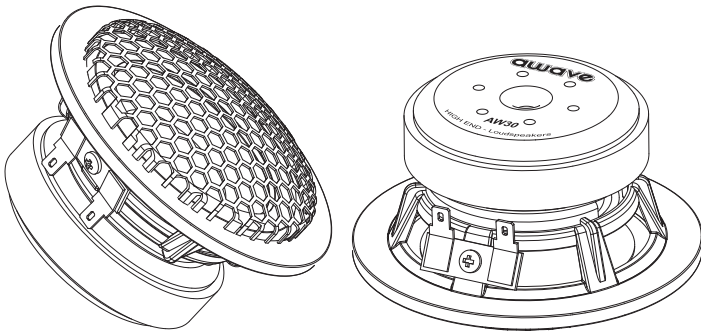


# awave

## AW30

3 INCH MIDRANGE SPEAKER



---

COMPONENT SPEAKER SYSTEM  
OWNER'S MANUAL

Thank you for purchasing a **AWAVE** 3 Way 3 inch Midrange Speaker. It is a state-of-the-art product specifically designed and engineered for HIGH END vehicle use, and has been thoroughly tested to ensure consistent and reliable performance.

Should you have any questions regarding the installation or operation of your **AWAVE** 3 inch Midrange Speaker, which are not answered in this manual, please contact your dealer for assistance.

## FEATRUES

3 inch Midrange Speaker

RMS. Power : 40Watts

MAX. Power : 80Watts

Mounting Depth (mid-range) : 41.5mm

Impedance: 4ohm

Efficiency: 91dB/SPL

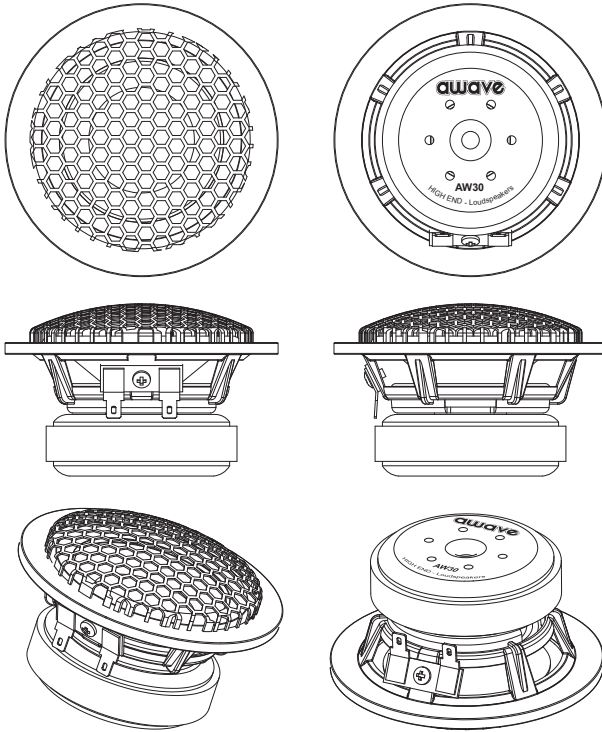
Frequency Range: 55-22KHz

## PRECAUTIONS

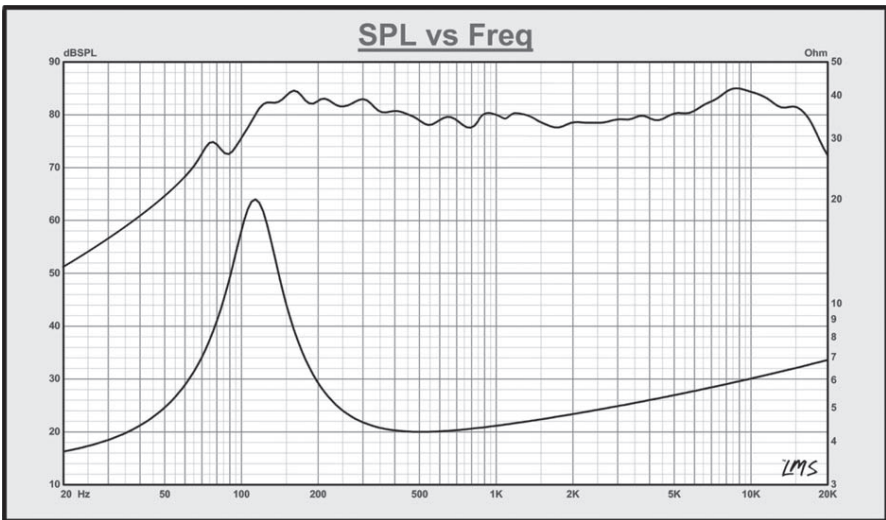
- Before making holes, check the mounting space with supplied template.
- To prevent noise pick-up, keep the wiring away from motors, high-voltage leads and other potential noise sources.
- To prevent a short-circuit, keep all wiring away from moving parts and sharp edges.
- Make sure you carefully read and understand the installation instructions before installing this subwoofer in your vehicle.

# MID-RANGE

## The appearance of the product



## Frequency Response Graph



### Thiele/Small Parameters

Overall Diameter	Φ93 mm (3-inch)
Mounting Depth	41.5 mm
Bolt Circle Diameter	Φ84.5 mm
Mounting Hole	Φ75 mm
Recommended <i>Minimum</i> Crossover Frequency	175 Hz at 24 dB/octave highpass
P <sub>nom</sub> Rated Power Input (No Crossover)	40 watts
P <sub>max</sub> Rated Power Input (No Crossover)	80 watts
P <sub>max</sub> (With Recommended Minimum Crossover)	200 watts
Frequency Range	120 Hz – 20,000 Hz, +/- 3 dB
Sensitivity	86 dB at 2V/1meter
M <sub>ms</sub>	2.5 g
C <sub>ms</sub>	656 um/N
BL	3.12 T*m
Voice Coil Diameter	25.7 mm (1-inch)
Impedance	4Ω – 8Ω
DC Resistance	3.4 Ω
F <sub>s</sub>	120 Hz (free air)
Q <sub>ms</sub>	3.8
Q <sub>es</sub>	0.71
Q <sub>ts</sub>	0.60
X <sub>max</sub>	2 mm (one way)
V <sub>as</sub>	1.05 L
S <sub>d</sub>	3.1 mm <sup>2</sup>